

**WARNING:**

Product must be assembled by an adult. This product contains small parts which are necessary for assembly. Prior to and during of this product, keep small parts out of children's reach. Small parts pose a choke hazard to children under 3 years.

**WARNING:**

**TO AVOID SERIOUS INJURY:** Continuous adult supervision required; never use near motor vehicles, near streets, swimming pools, hills, steps, or sloped driveways. Always wear shoes. Allow only one rider.

**OVER  
9  
months**

**MAXIMUM WEIGHT 42 LBS. (19 KGS.)**

**Adult assembly required.**

Phillips/cross head screwdriver  
(not included) needed for assembly.

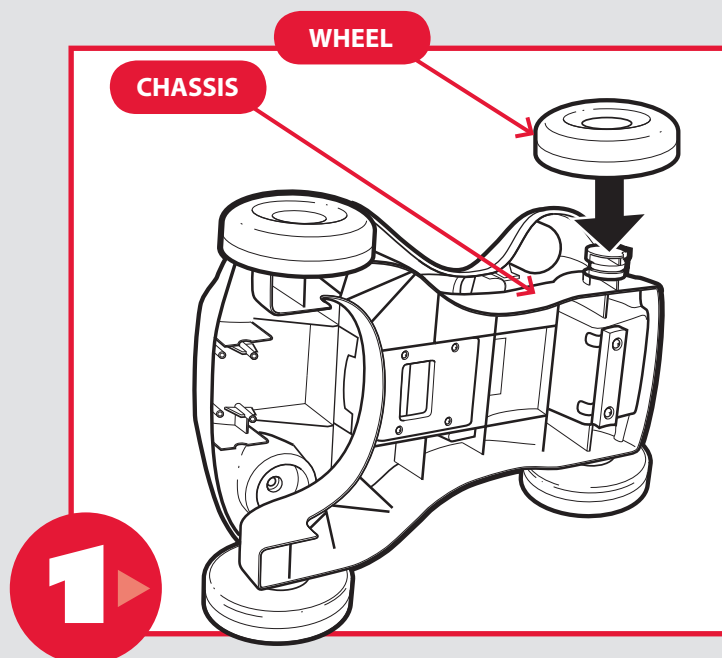
**Thank you for choosing this  
PLAYSKOOL toy!**



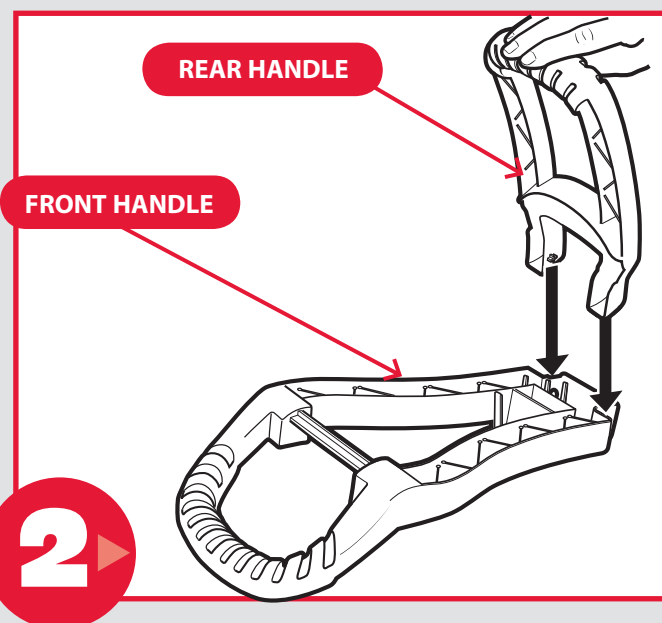
## Step Start Walk 'n Ride™

**INCLUDES:** body/chassis, 4 wheels, front handle, rear handle, handle retainer, domed lid, dial, roller, spinner (2 pieces), antenna, gear shift, 4 plain #6 screws, and 1 #6 screw with attached washer.

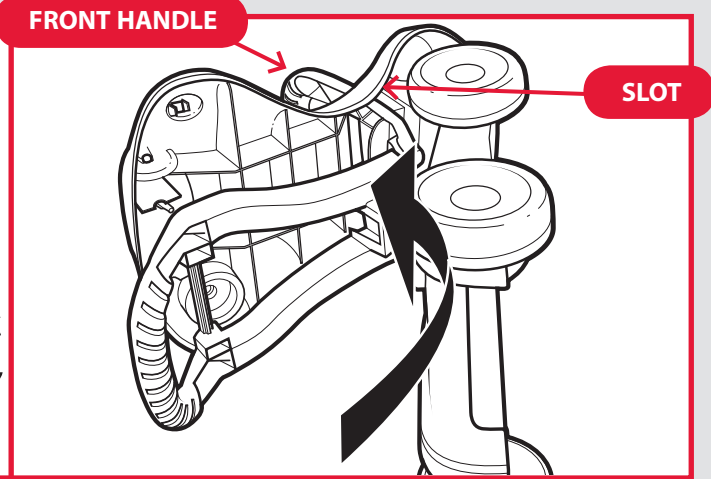
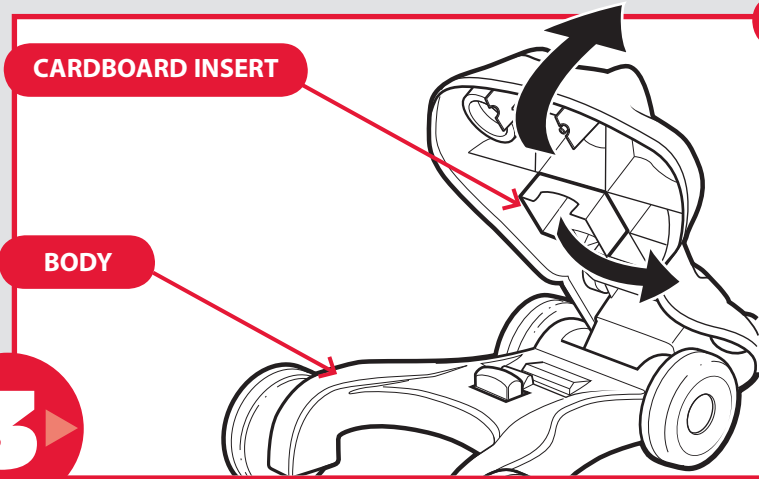
## ASSEMBLY:

**ATTACH WHEELS:**

Tip body/chassis on its side. Snap wheel onto axle, with flat side of wheel against chassis. Repeat for remaining 3 wheels.

**ASSEMBLE HANDLES:**

To snap front and rear handles together: Place rear handle upside down on flat surface. Holding front handle with back facing rear handle and perpendicular to rear handle, snap posts on front handle into holes in rear handle.

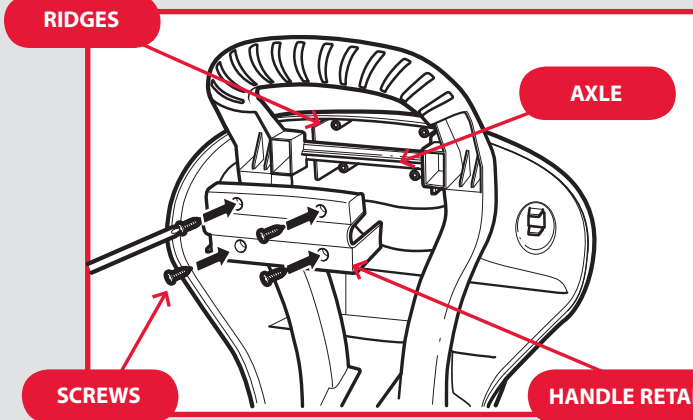


3

**ATTACH HANDLE ASSEMBLY TO BODY:**

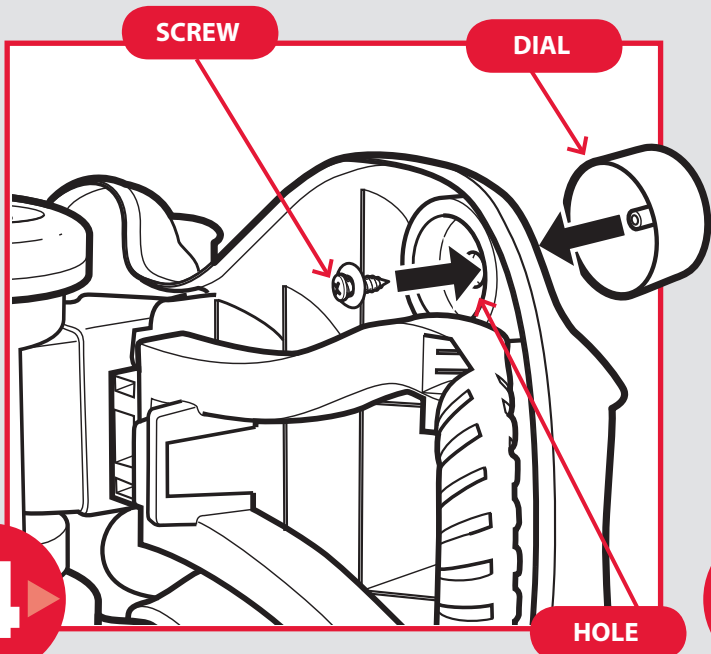
Lift body and remove cardboard insert.

Turn body/chassis on its side. Insert front handle through slot in body.



Fit axle on rear handle into ridges in underside of body. Place handle retainer over axle (retainer fits only one way). Using the 4 plain #6 screws and Phillips/cross head screwdriver (not included), attach retainer to body.

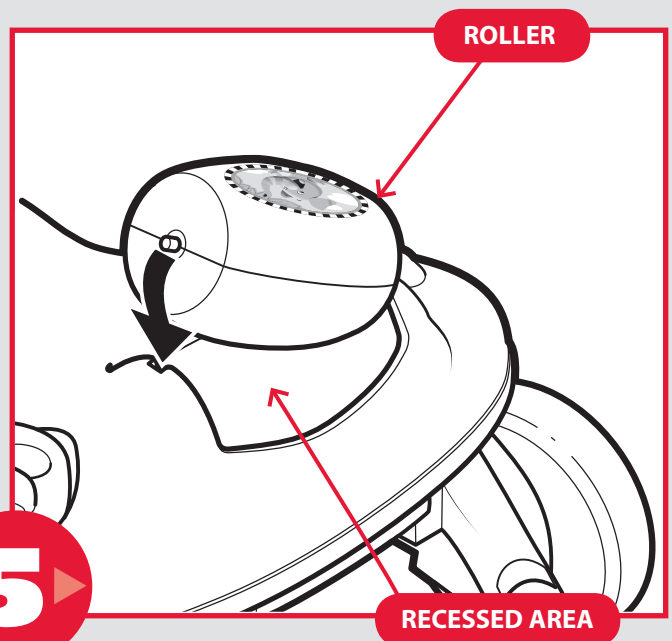
**NOTE:** If body is locked closed, see page 7 for conversion instructions.



4

**DIAL:**

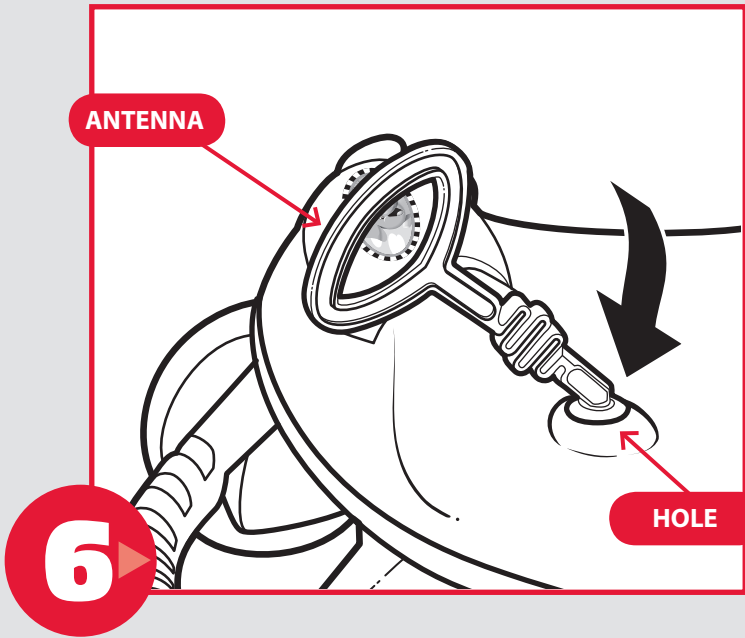
With body/chassis on its side, insert dial into recess. Turn body so that underside of chassis faces you. Insert #6 screw with attached washer into hole, and tighten with Phillips/cross head screwdriver.



5

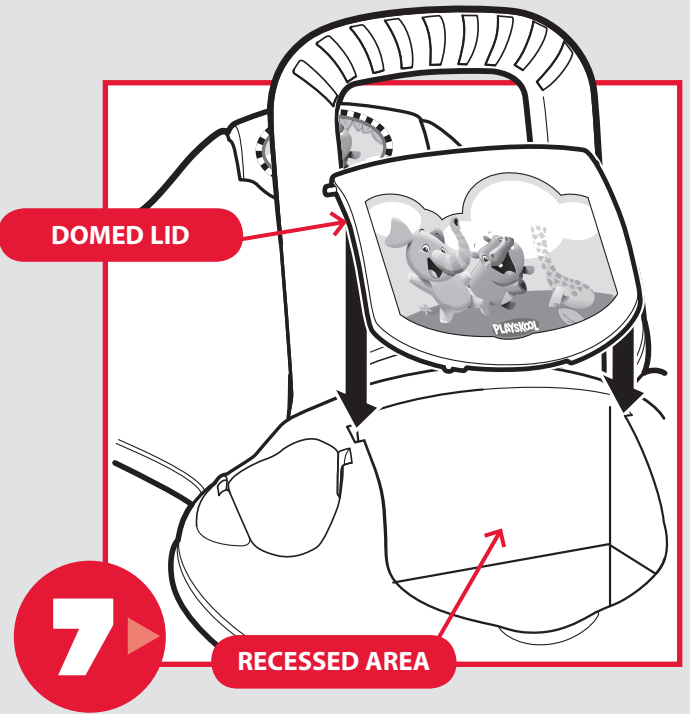
**ROLLER:**

Turn body/chassis right side up and lower chassis onto body. Insert posts on roller into holes in recessed area (smaller post into smaller hole, larger post into larger hole).



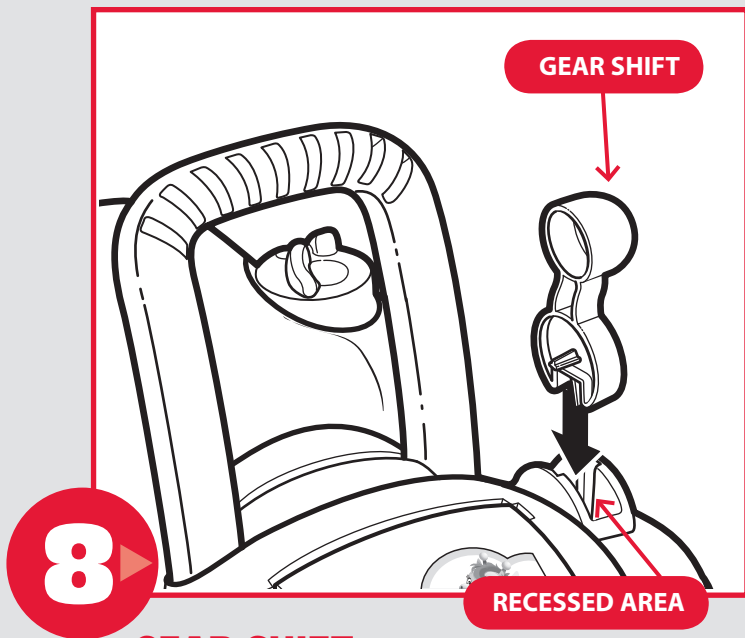
**ANTENNA:**

Antenna fits only one way. Insert end of antenna into hole.



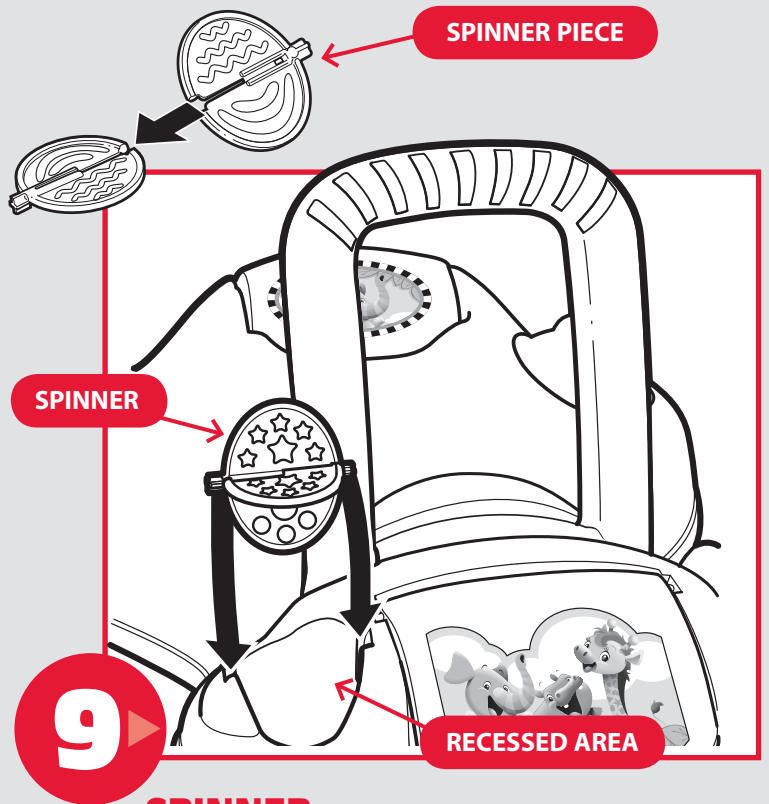
**DOMED LID:**

Insert posts on domed lid into holes in recessed area.



**GEAR SHIFT:**

Gear shift fits only one way. Inserts posts on gear shift into holes in recessed area (smaller post into smaller hole, larger post into larger hole).

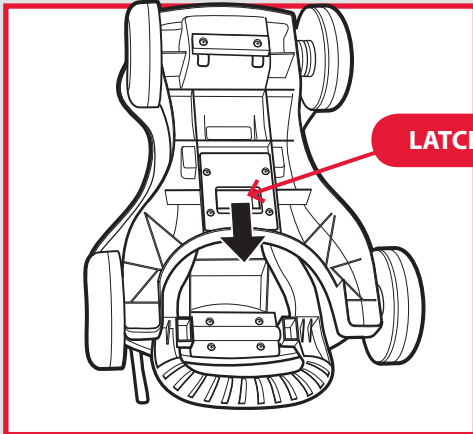


**SPINNER:**

Slide slots on each spinner piece into each other until they snap into place. Snap assembled spinner into recessed area.

# FUNCTION:

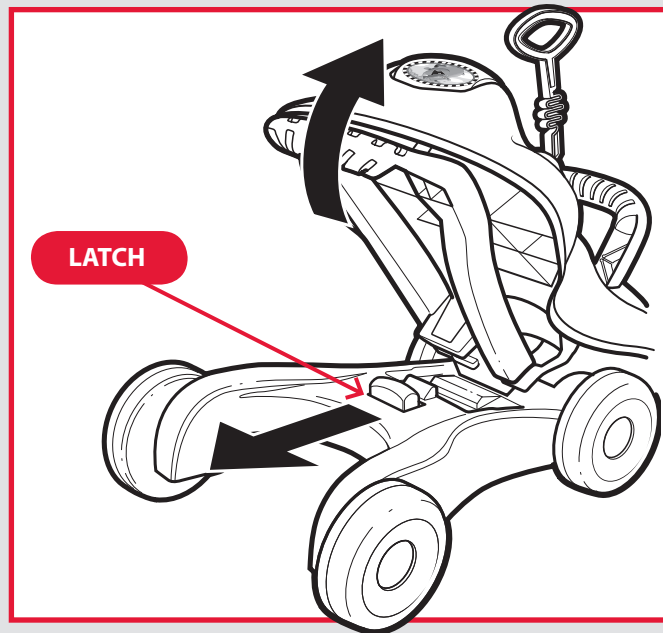
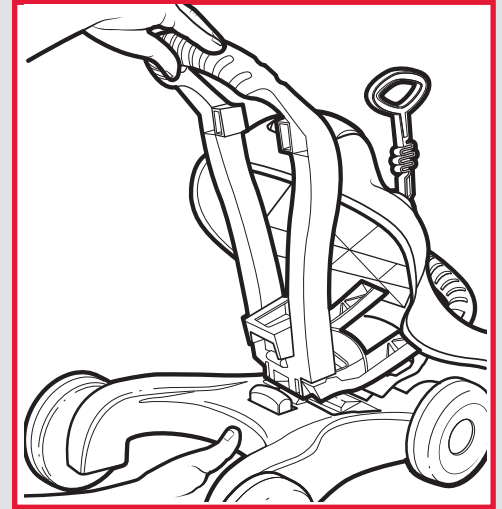
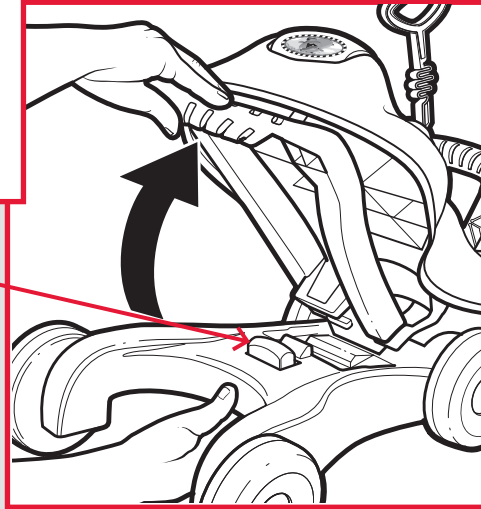
**NOTE:** Upon completing assembly, the toy will probably be in the ride-on mode.



## ⚠ CAUTION:

### TO CONVERT FROM RIDE-ON TO WALKER:

Lift toy to access underside of chassis. Squeeze latch with one hand, and at same time, grasp rear handle and lift up body. Push handle down to **lock** into place. Listen for **click**. Pull up on handle to confirm handle is **locked**.



## ⚠ CAUTION:

### TO CONVERT FROM WALKER TO RIDE-ON:

Squeeze latch on top of chassis. Lift rear handle up and forward. Rotate handles up then lower body onto chassis.

Make sure the handle **locks** into place.



Product and colors may vary.  
© 2012 Hasbro. All Rights Reserved.  
TM & ® denote U.S. Trademarks.  
U.S. Pat. Nos. 6296268 and D424126.  
05545 PN 7268760000



Questions? Call 1-800-PLAYSKL